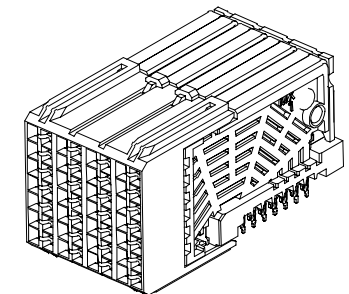


13	12	11	10	9	8	7	6	5	4	3	2	1
MATERIAL NUMBER		# OF COLUMNS		DIM. "A" MAX.		DIM. "B"						
76020-*004		4		14.80		11.10						
76020-*006		6		22.20		18.50						
76020-*010		10		37.00		33.30						

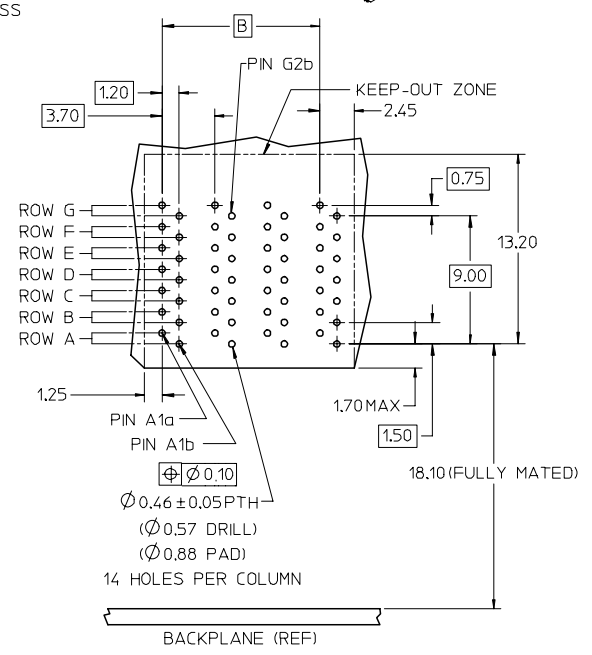
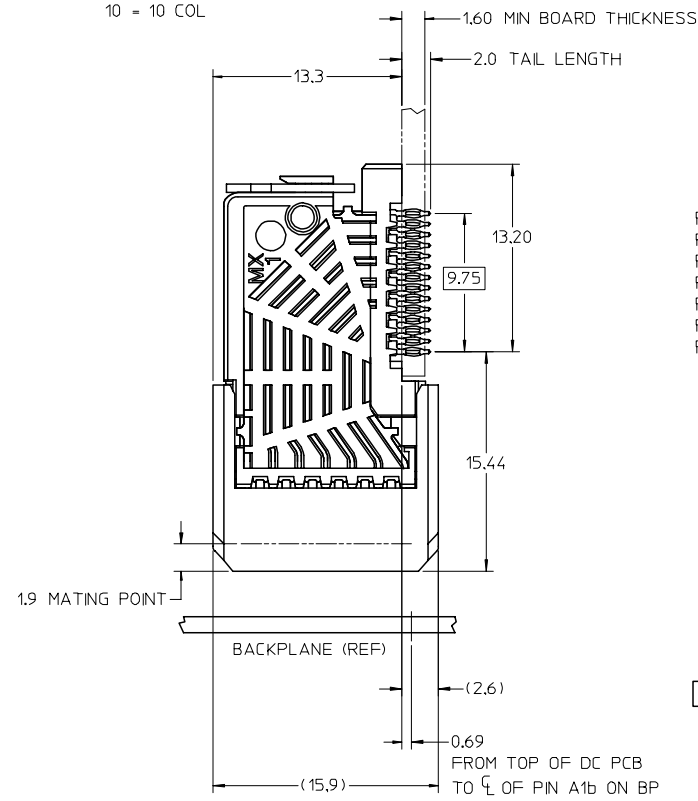
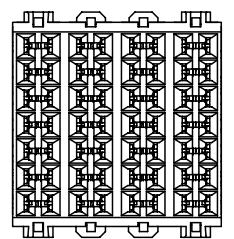
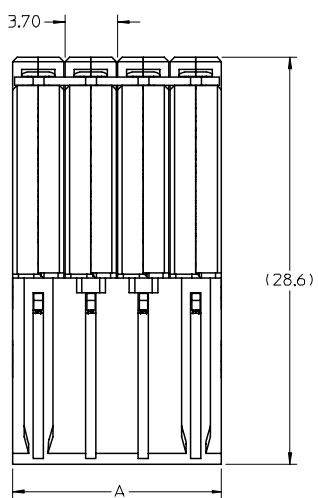


76020-\*0\*\*

MODULE TYPE -- TAIL PLATING TYPE  
 UNGUIDED -- TIN/LEAD = 0  
 UNGUIDED -- TIN ONLY = 1

# OF COLUMNS  
 04 = 4 COL  
 06 = 6 COL  
 10 = 10 COL

POLARIZATION KEY ORIENTATION  
 0 = NO KEY



### DAUGHTERCARD HOLE PATTERN (CONNECTOR SIDE)

- NOTES:
- MATERIALS: HOUSING - LIQUID CRYSTAL POLYMER (LCP) GLASS-FILLED, UL 94V-0  
 TERMINALS - HIGH PERFORMANCE COPPER ALLOY
  - FINISH: 30uIN MIN. GOLD IN CONTACT AREA  
 SELECTIVE TIN/LEAD (-0\*\*\*) OR SELECTIVE TIN (-1\*\*\*) ON PCB TAILS. NICKEL OVERALL.
  - REFER TO MOLEX PRODUCT SPEC PS-75710-999 FOR PERFORMANCE SPECIFICATIONS.
  - PRODUCT IS PACKAGED PER PK-70873-607.
  - THIS PART CONFORMS TO CLASS B REQUIREMENTS OF COSMETIC SPEC PS-45499-002.

INITIAL RELEASE FC NO: UCP2007-2344 DRAWN BY: SCZOR CHKD: JLAURX APPR: JLAURX	DESCRIPTION 2007/03/19 2007/03/19	QUALITY SYMBOLS =0 =0	GENERAL TOLERANCES (UNLESS SPECIFIED)		DIMENSION STYLE MM ONLY		SCALE 4:1	DESIGN UNITS METRIC	THIRD ANGLE PROJECTION
			mm	INCH	DRAWN BY MCARRANZA	DATE 3/20/06	TITLE I-TRAC DAUGHTERCARD 7 ROW UNGUIDED SIGNAL MODULE		
4 PLACES ± --- ± ---			3 PLACES ± --- ± ---		CHECKED BY JLAURX		DATE 3/21/06		MATERIAL NO. SD-76020-001
2 PLACES ± 0.13 ± ---			1 PLACE ± 0.25 ± ---		APPROVED BY JLAURX		DATE 3/21/06		
ANGULAR ±1/2°			DRAFT WHERE APPLICABLE MUST REMAIN WITHIN DIMENSIONS		SEE CHART		DOCUMENT NO.		SHEET NO. 1 OF 1
THIS DRAWING CONTAINS INFORMATION THAT IS PROPRIETARY TO MOLEX INCORPORATED AND SHOULD NOT BE USED WITHOUT WRITTEN PERMISSION									